

180-AC MagnaValve®

On | Off Hopper Fill MagnaValve

Features

- Supplies ferrous media to shot hoppers
- Flow rate up to 240 lb/min (108.86 kg/min)*
- Normally closed
- No moving parts for maintenance-free operation
- 110 Vac

* Flow rates are based on S230 shot



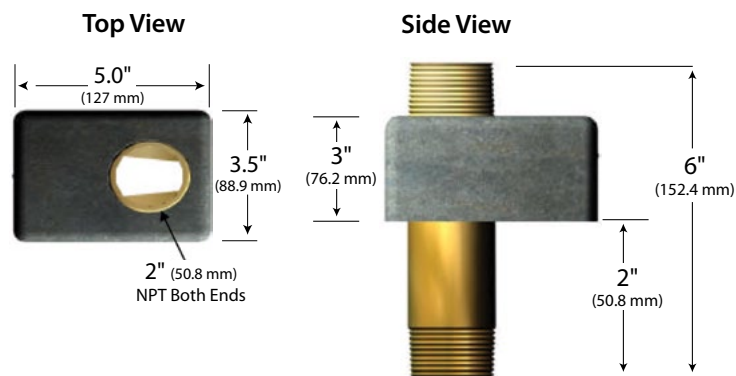
Description

The 180-AC MagnaValve® is a normally closed magnetic valve that supplies ferrous media to shot hoppers. The 180-AC MagnaValve is maintenance free — it has no moving parts so there are no parts to wear or break and it is completely sealed to prevent media dust from entering the valve. The 180-AC MagnaValve has a rare earth permanent magnet for normally closed operation and an electromagnet for controlling shot flow rates. With power applied, the magnetic field is neutralized and shot is allowed to flow through the valve. When no power is applied to the MagnaValve, the permanent magnets stop all flow. If the power is interrupted for any reason, the permanent magnets securely hold the shot, thereby virtually eliminating shot leakage.

Specifications

Input	80 - 125 Vac @ 2 A
Temperature Range	32° - 167° F (0° - 75° C)
Mode	Normally Closed
Media	Ferrous (does not flow cast stainless steel shot)

Dimensions Inches (Millimeters)



Note:
The MagnaValve is designed to operate in a vertical position and must be mounted within 5 degrees of vertical.