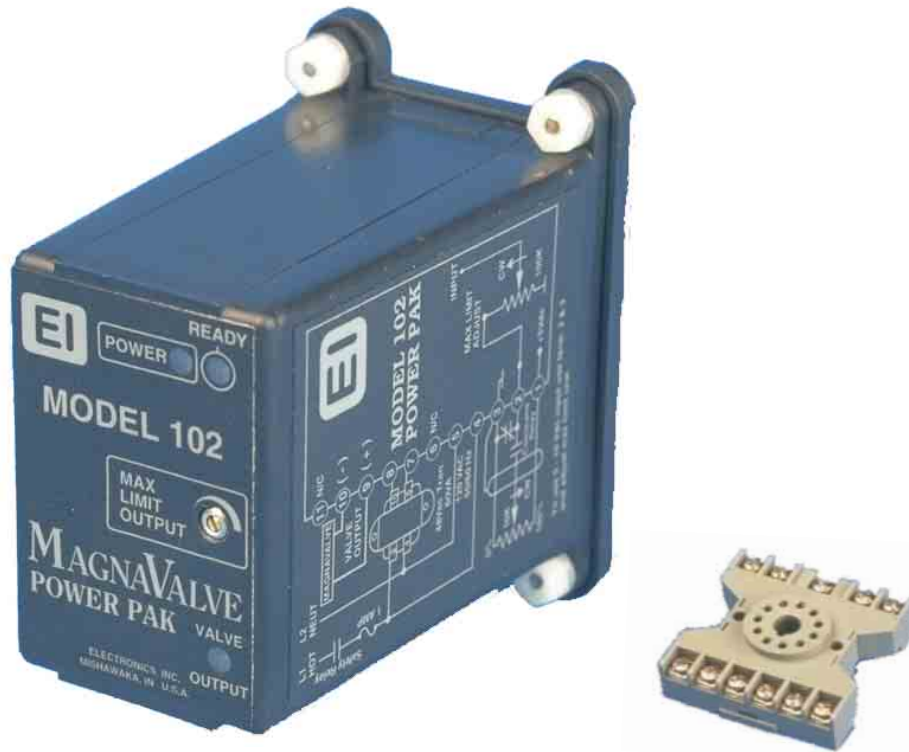


# \* MODEL 102 POWER PAK \*



The Model 102 Power Pak produces the control signal to the MagnaValve to provide convenient regulation of shot flow rates. The Power Pak has a 11 pin plug on the bottom. An external control pot may be mounted near the wheel motor ammeter for operator convenience or multiple external potentiometers can be selected for preprogrammed flow settings. A 0 - 5Vdc or 0 - 10Vdc signal from a plc can also be used for flow settings.

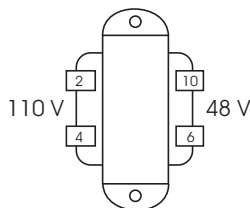
Output signal is a fixed frequency variable duty cycle (0-100%) for shot flow regulation. The following indicators are provided.

A green LED indicates power on.

A yellow LED indicates the valve power supply is ready.

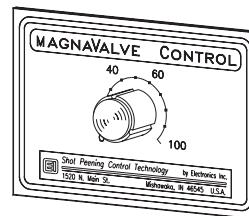
A red LED indicates power output to the valve.

## Accessories



Transformer  
P/N 480008  
48Vac 100VA

(Order separately)



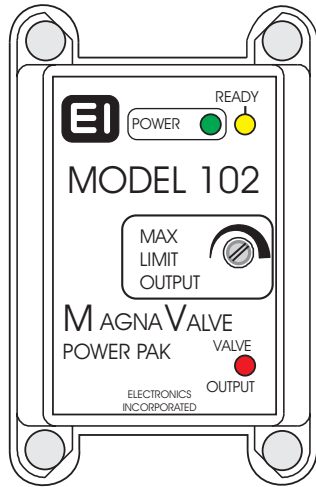
Remote  
Potentiometer  
P/N 999258  
with 25' cable

(Order separately)

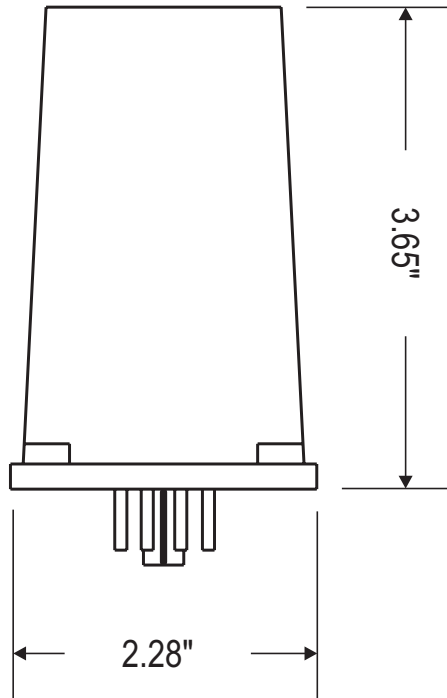
**ELECTRONICS INCORPORATED**

# \* MODEL 102 POWER PAK \*

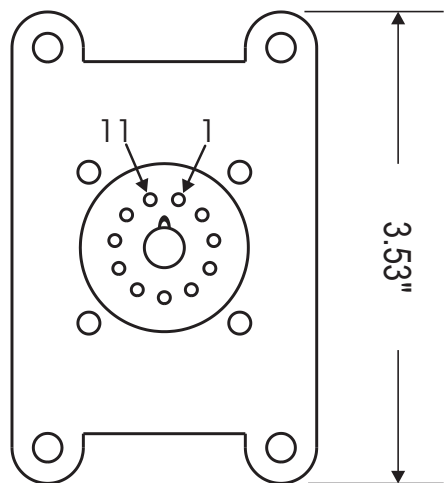
TOP VIEW



SIDE VIEW



BOTTOM VIEW



## SPECIFICATIONS

POWER : 120 Vac 50/60hz 10VA  
: 48 Vac 50/60hz 100VA

OUTPUT : PWM - +55Vdc  
RANGE : 0-100% DUTY CYCLE

INPUT : 0 - 5Vdc or 0 - 10Vdc

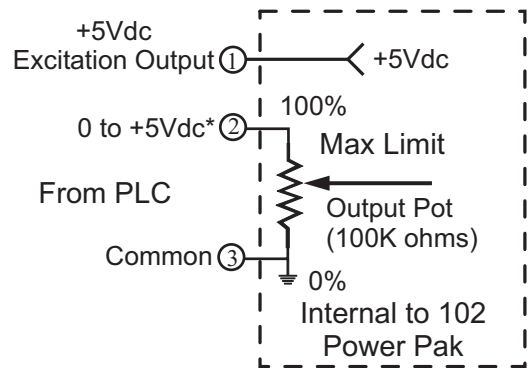
ADJUSTMENTS : MAX LIMIT  
Output 0-100%

INDICATORS : Green = 120Vac Power  
: Yellow = 48Vac Ready  
: Red = Output to valve

TEMP. RANGE : 40 - 100 F

## WIRE CONNECTIONS

1. +5Vdc Excitation output
2. 0 To +5Vdc Input
3. Signal Ground
4. Power Hot (120Vac)
5. Power Neutral (120Vac)
6. N/C
7. Transformer (48Vac)
8. Transformer (48Vac)
9. MagnaValve Positive ( + )
10. MagnaValve Negative ( - )
11. N/C



\*For 0-5Vdc input adjust "max limit" to 100%  
For 0-10Vdc input adjust "max limit" to 50%

M102DATAA.CDR 11/1/2000