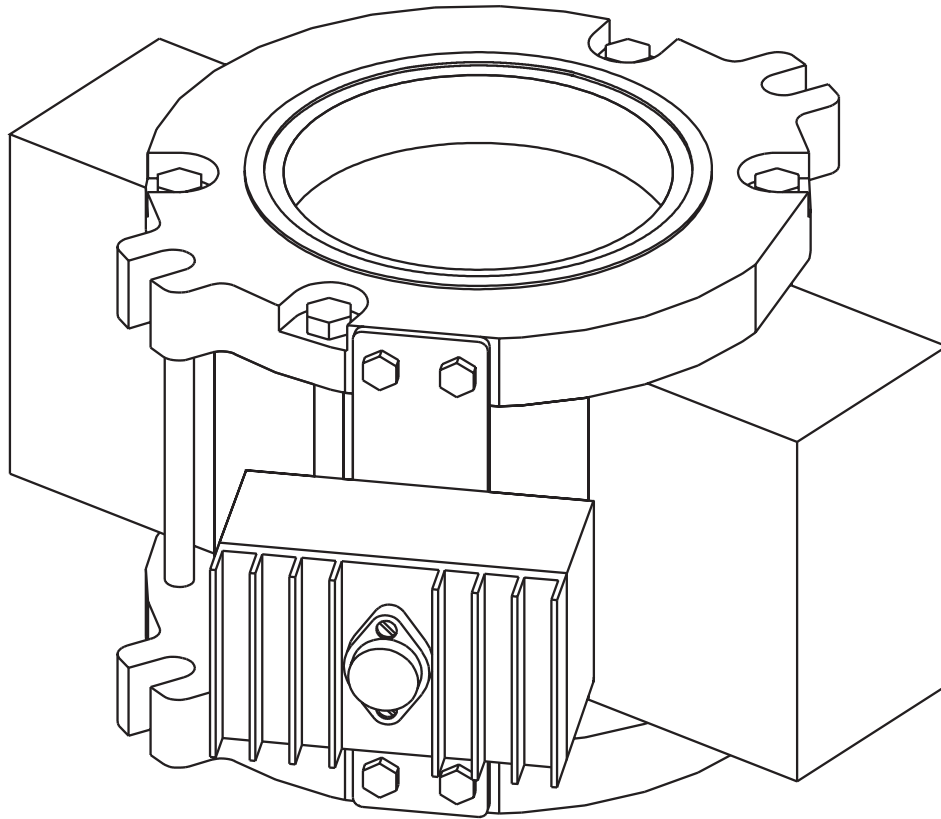


* MODEL 100 MagnaValve *



- * Wheel systems
- * Variable flow rates
- * No moving parts
- * Steel shot
- * Steel grit

- * 0 - 2400 lbs/min range
- * Normally closed
- * Manual-open loop systems

The Model 100 MagnaValve is a normally closed magnetic valve suitable for regulation of steel shot or grit. Used with the Model MC or 102 Power Pak the MagnaValve will provide accurate and repeatable flow rates over a 0 - 2400 pounds-per-minute flow range.

For closed loop amperage control using 100:5 current transformer you may use model FC amperage control. This provides closed-loop servo action with low flow alarms.

The valve construction includes a permanent magnet for normally closed operation and an electromagnet for controlling shot flow rates. By regulating the voltage to the electromagnet, any desired flow rate may be achieved. When power is off, the valve will hold shot due to the permanent magnet. .

ELECTRONICS INCORPORATED

* MODEL 100 MagnaValve *

SPECIFICATIONS

VALVE

Input : +60Vdc @ .95A

Output : 0 - 2400 lbs/min

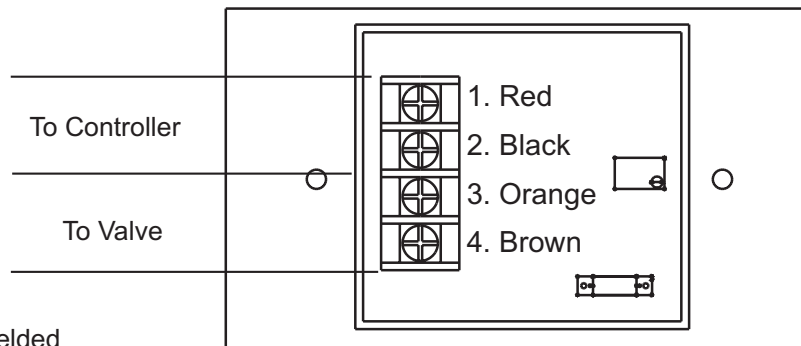
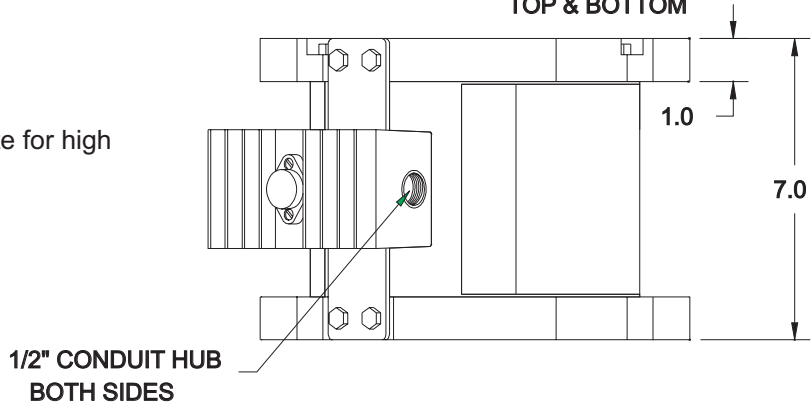
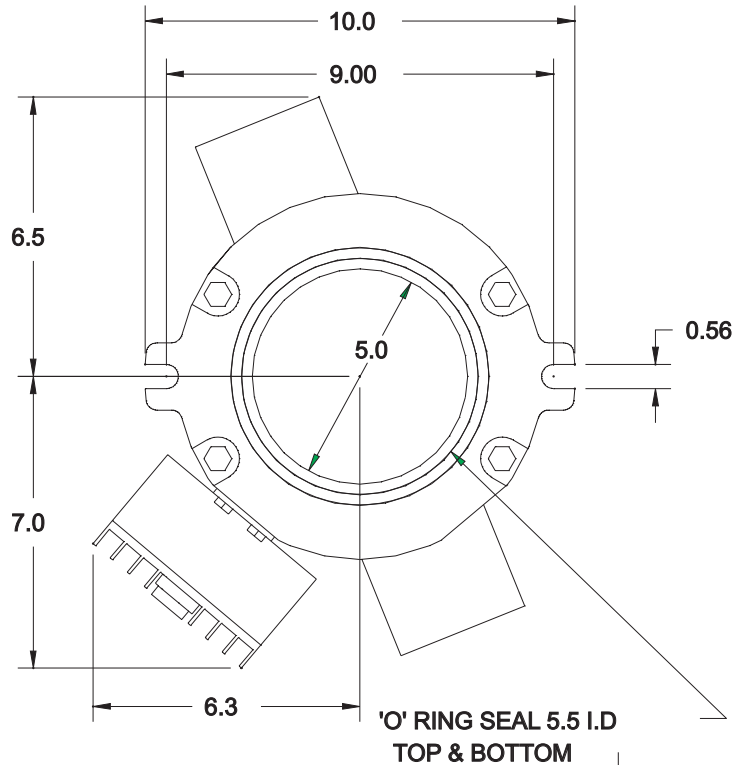
Indicator: Red LED = Flow

Temp. Range : 0-75°C or 32-167°F
with remote mounted valve driver
0-100°C or 32 - 212°F

Weight: 32 lbs

NOTE : Unit requires a power pak
Model MC
Model 102
Model Vd4a
or model FC control for closed
loop amps control with 100:5
current transformer

Locate valve driver remote for high
temperature applications



CABLE: 2 Conductor Shielded
18 AWG or Equivalent
Connect shield at control only