

# \* MODEL 599A-1.25-.90 SENSOR \*

## SHOT FLOW RATE SENSOR



- \* Pressure systems
- \* Gravity Fed systems
- \* Steel shot/grit
- \* 10-100 lbs/min
- \* Steel Pipe Construction
- \* 0-5Vdc Output
- \* Standard 1-1/4" NPT Pipe Thread

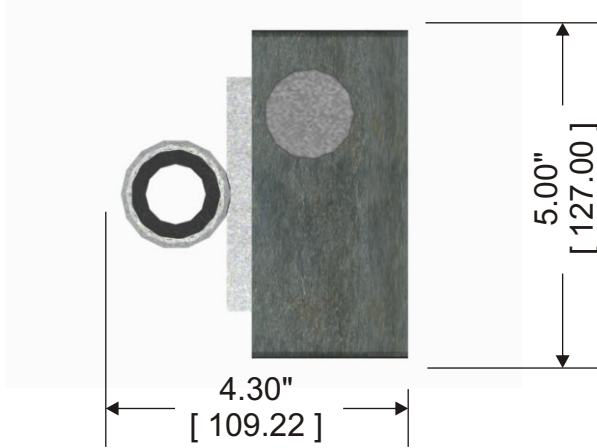
The Model 599A-1.25.90 Inductive Sensor is constructed in a 1-1/4" x 4" steel pipe and should be located above the mixing tee in a direct pressure blasting system. The supplied junction box allows for easy connection of the sensor.

The sensor is placed in the system after the flow rate has been regulated. The sensor detects density of ferrous media and this signal is then scaled to display flow rate.

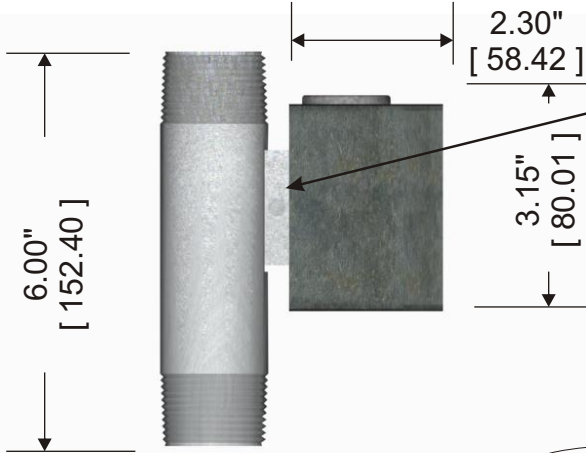
The 599A sensor incorporates a preamplifier circuit to allow for high noise immunity and a 0 - 5 Vdc output.

**ELECTRONICS INCORPORATED**

# \* MODEL 599A-1.25-.90 SENSOR \*

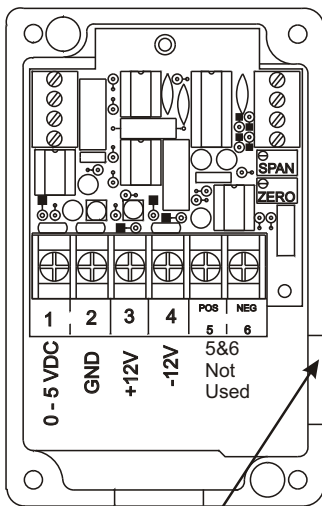


Specifications
Bore : .90"
Flow inlet : 1.25" NPT
Flow outlet : 1.25" NPT
Range : 10-100 lbs/min
Input: +/- 12Vdc /100mA
Signal : 0-5Vdc output

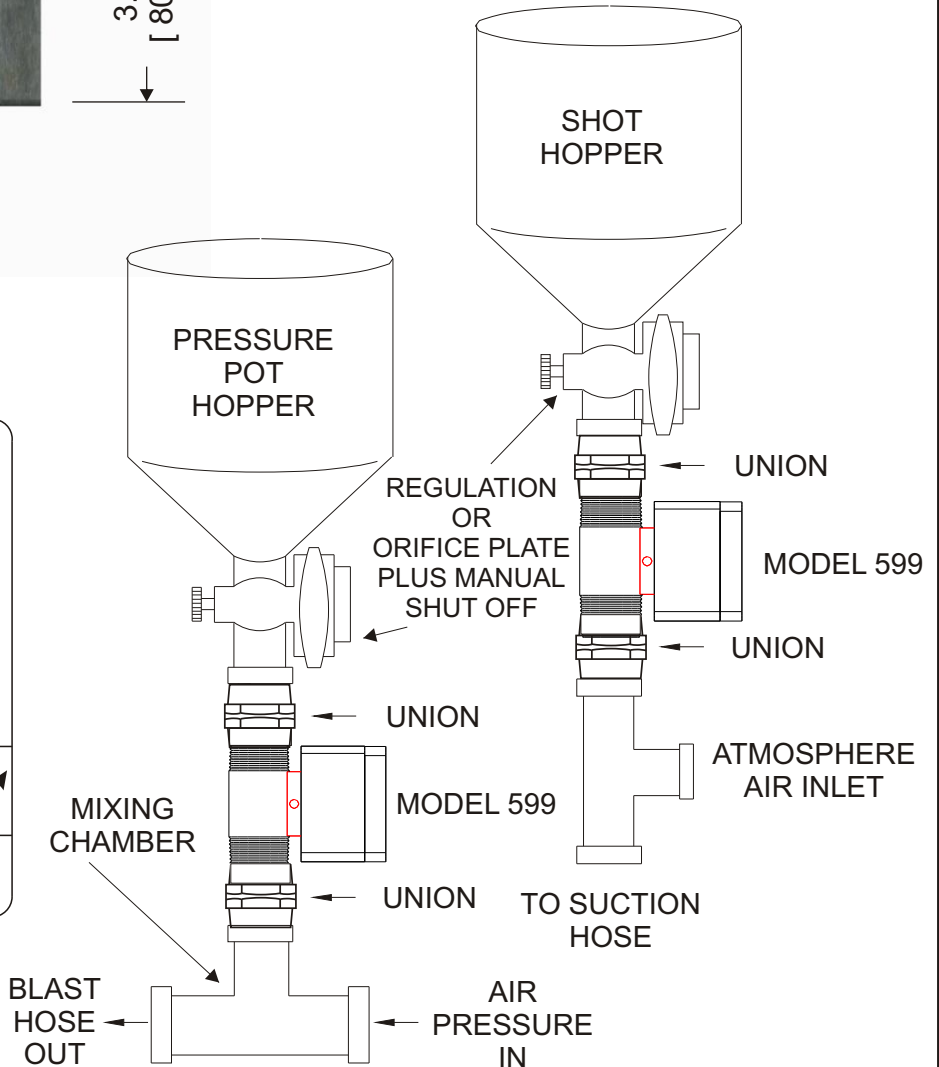


Insert 1/4" Dia. pin or screwdriver during installation to hold sensor from rotating

0.31" [7.87]



.875" [22.22]  
1/2" CONDUIT  
HOLE 2PLS

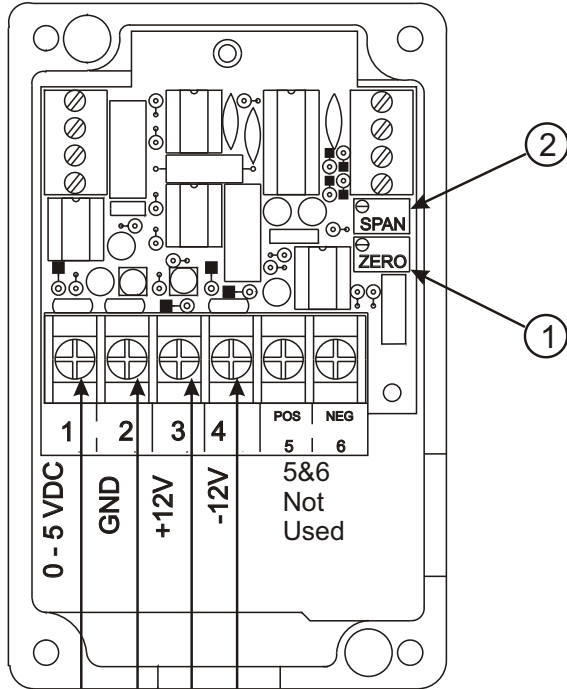


599\_125\_0900\_data.CDR 25 April 2004

# \* MODEL 599A-1.25-.90 SENSOR \*

## WIRING INSTRUCTIONS FOR USE WITH PLC OR MONITOR DEVICE

599-1.25 JUNCTION BOX



### SETUP INSTRUCTIONS

1. Adjust **ZERO** trimpot for zero volts at terminal 1. (Factory set at zero)
2. Adjust **SPAN** trimpot
  - A. CW for higher output voltage
  - B. CCW for lower output voltage

NOTE: 2 Green LEDs indicate presence of +12Vdc and -12Vdc

Use wire size #18awg or larger with a shield connected to earth ground near power supply.

