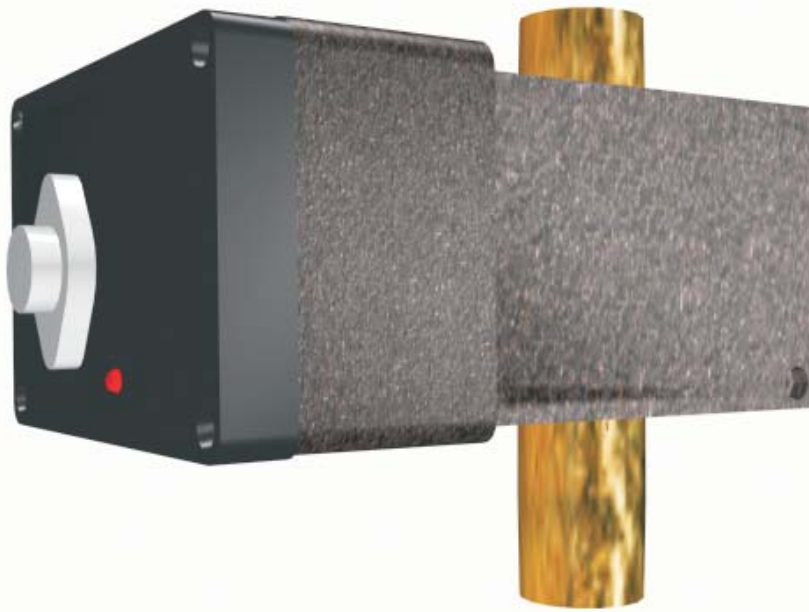


* MODEL 577 MagnaValve *



- * Air pressure shot peening
- * Variable flow rates
- * No moving parts
- * Steel shot

- * $\pm 10\%$ Accuracy
- * Built-in flow sensor
- * .2 - 2 lbs/min range
- * Normally closed
- * Requires FC or 362a Flow Controller

The Model 577 MagnaValve is a normally closed magnetic valve suitable for regulation of steel shot and includes a built-in sensor for accurate measurement of flow rate. Used with the Model FC or 362a Shot Flow Controller, the MagnaValve will provide accurate and repeatable flow rates over a .2 - 2.0 pounds-per-minute flow range.

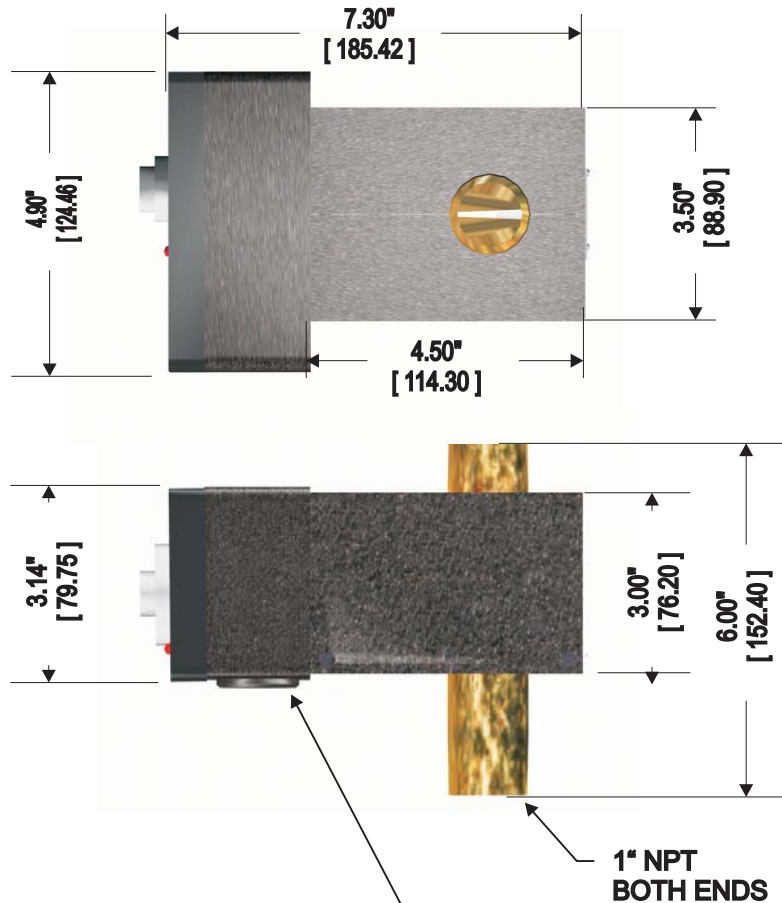
The valve construction includes a permanent magnet for normally closed operation and an electromagnet for controlling shot flow rates. By regulating the voltage to the electromagnet, any desired flow rate may be achieved. When power is off, the valve will hold shot due to the permanent magnet.

The Model 577 MagnaValve incorporates a preamplifier circuit to allow for high noise immunity and a 0-5 Vdc output. The valve is factory calibrated and results are included upon request. Note consult factory for pre-calibration using media other than cast steel shot.

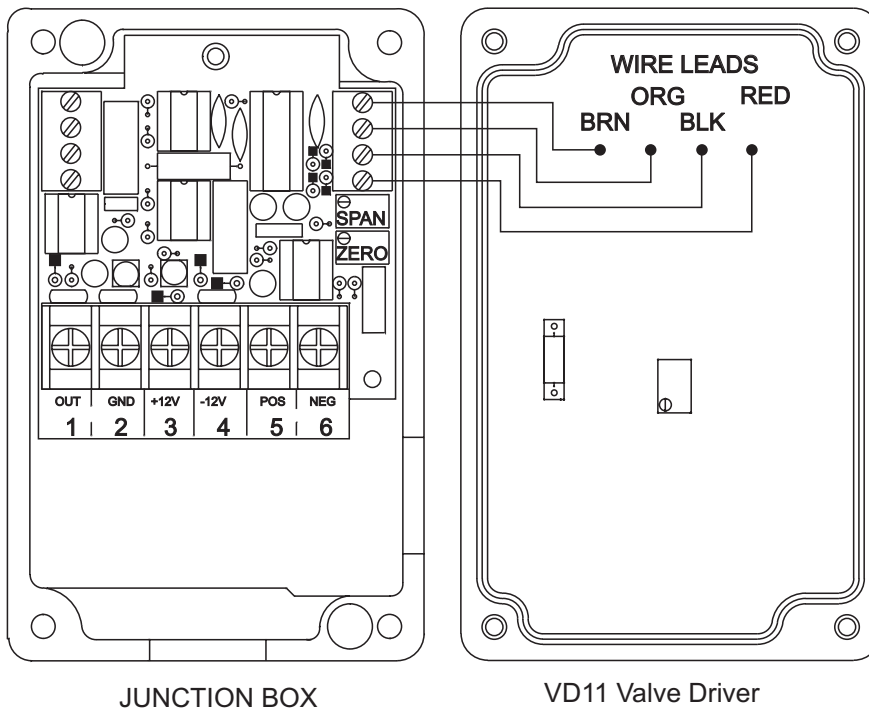
ELECTRONICS INCORPORATED

* MODEL 577 MagnaValve *

SPECIFICATIONS	
SENSOR	
Input :	+12Vdc @ 100mA max. : -12Vdc @ 60mA max.
Display :	None
Output :	0 - 5Vdc
Adjustments :	Zero, Span
Accuracy :	+/- 10% (of full scale)
VALVE	
Input :	+50Vdc @ .62A
Output :	0.2 - 2.0 lbs/min
Pressure Range :	100 PSI
Media:	Steel shot
Mode:	Normally closed
Temp. Range :	32 - 122° F 0 - 50° C



Note: The MagnaValve is designed to operate in a vertical position and must be mounted within 5 degrees of vertical



.875" DIA.
[22.225]
1/2" CONDUIT HOLE
ON BOTTOM AND
RIGHT SIDE OF
JUNCTION BOX

CABLE
BELDEN 9773
OR EQUAL
3 PAIR SHIELDED

MAY SUBSTITUTE
6 CONDUCTOR
PLUS SHIELD 18 AWG

577CDATA.CDR 06/27/2005