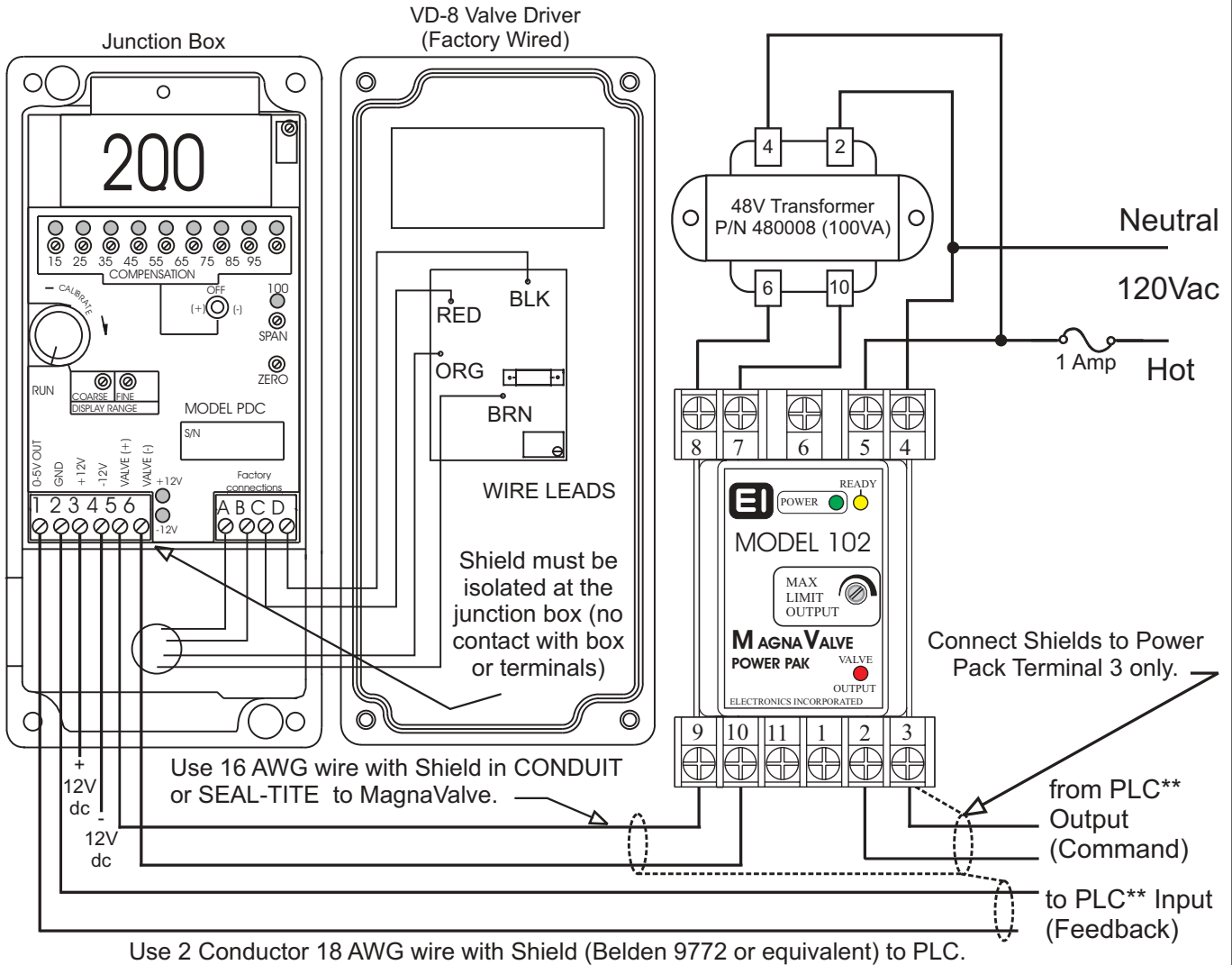


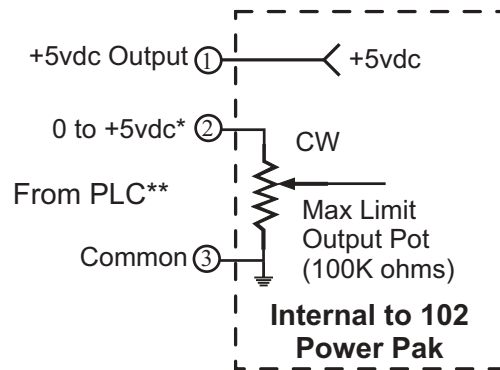
# \* Application Note AN-162 \*

Wire Connections for 477, 478, 479 or 480 MagnaValve to 102 Power Pak and PLC



## 102 Power Pak Wiring Connections

1. +5Vdc Excitation Output
2. 0 To +5Vdc Input \*
3. Signal Common
4. Power Hot (120Vac)
5. Power Neutral (120Vac)
6. N/C
7. Transformer (48Vac)
8. Transformer (48Vac)
9. MagnaValve Positive
10. MagnaValve Negative
11. N/C



\*\*PLC or Computer must have PID Servo Capability.

\* To use 0 - 10Vdc input adjust max limit output CCW.

56790 Magnetic Drive Mishawaka, In. USA 46545 (574) 256-5001  
ELECTRONICS INCORPORATED