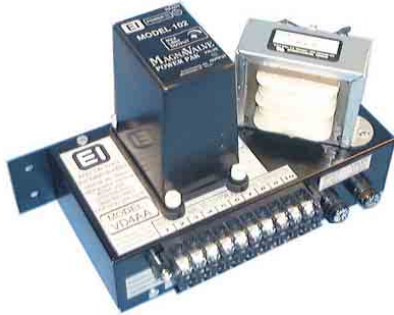


* MODEL VD4AA ADAPTOR *

Converts 102 Power Pak
into Model VD4A style



View with 102 Power Pak Installed
Order 102 Power Pak Separately



- * Removable Terminal Block
- * Mounting Ears
- * Replacable Fuses

**Note: VD4AA must be used with
a 102 Power Pak**

The Model VD-4AA allows a 102 Power Pak to be a direct replacement for the Vd4 and VD4A power paks. The VD4AA is a chassis identical to the VD4 models with mounting ears and removable connector, it has pin for pin wire inter-changability with Vd4 models.

The Power Pak can be mounted on the electrical panel subplate. An external 10K potentiometer (order separately) is used to set the flow rate from 0-100%. The maximum flow rate may be pre-set on the 102 to limit the output signal and prevent overloading the wheel motor.

ELECTRONICS INCORPORATED

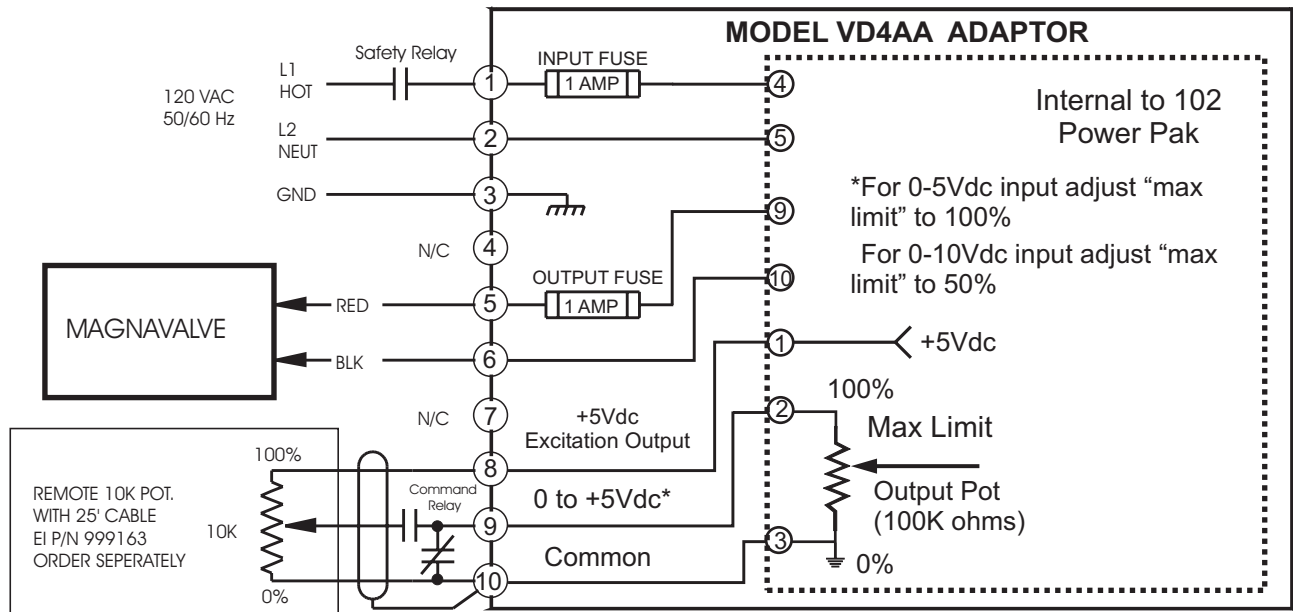
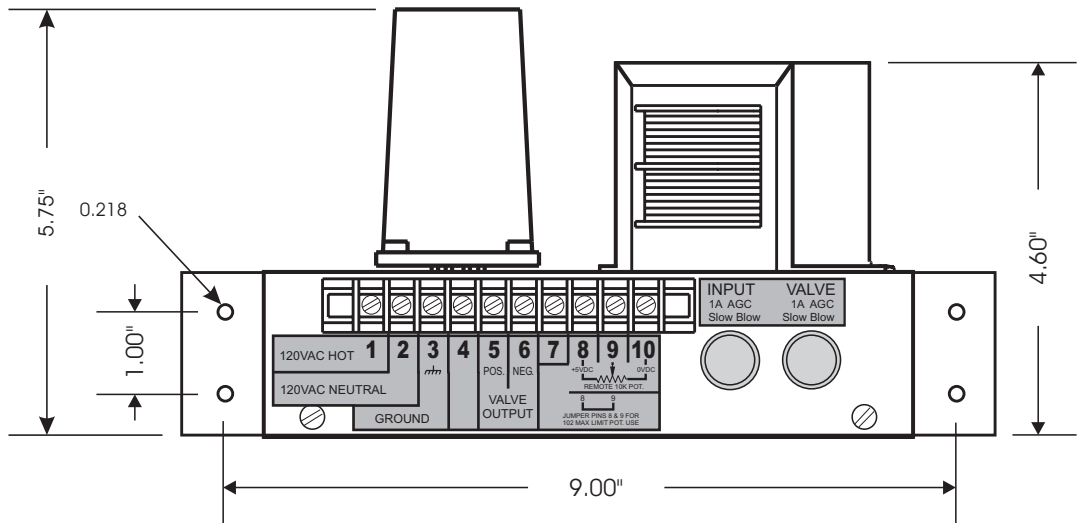
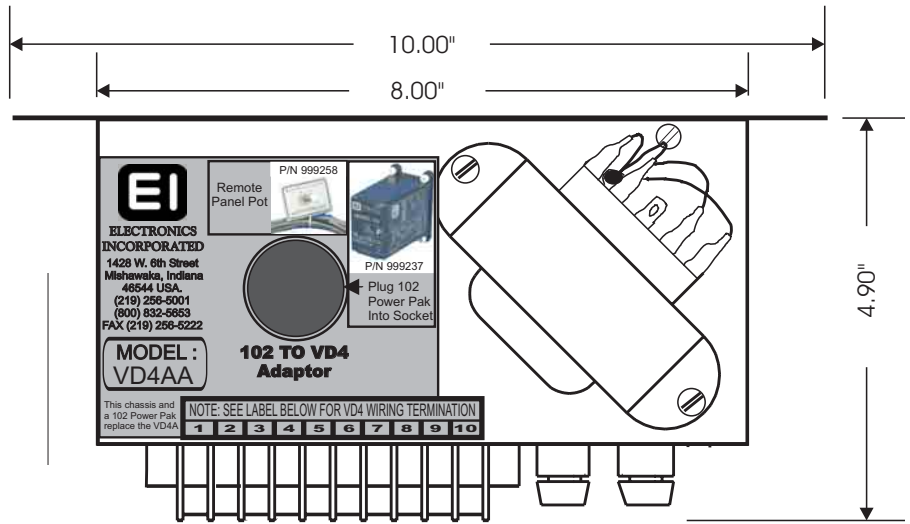
SHOT PEENING TECHNOLOGY

VD4AA.CDR 2/21/01

* MODEL VD4AA ADAPTOR *

SPECIFICATIONS

Power : 120Vac 50/60 Hz
 50VA
 Input : 0-5Vdc Setpoint
 Display : Green Power LED
 : Red Valve LED
 Adjustments : Max. Limit Adjust
 Output : +60Vdc @ .8A
 PWM @ 8Hz
 Temp. Range : 50 - 110 F



VD4AA.CDR 2/21/01

1428 W. 6th Street, Mishawaka, In. USA 46544 (219) 256-5001