

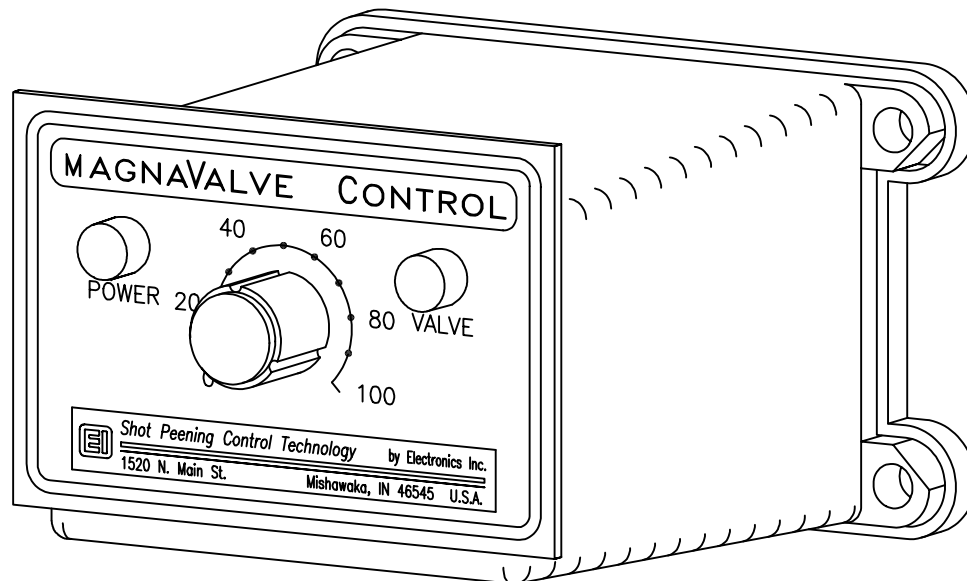
*

MODEL 101 POWER PAK

*

PAGE
1 OF 2

CONTROLS MODELS 25, 50 AND MODEL 100



The Model 101 Power Pak produces the control signal to the MagnaValve to provide convenient regulation of shot flow rates. The Power Pak will mount on the customer's panel door and can be located near the wheel motor ammeter. An external transformer for valve power is required to be connected to terminals 9 and 10.

Output signal is a fixed frequency variable duty cycle (0–100%) for shot flow regulation. A red LED indicates power output to the valve. A green LED indicates power-on.

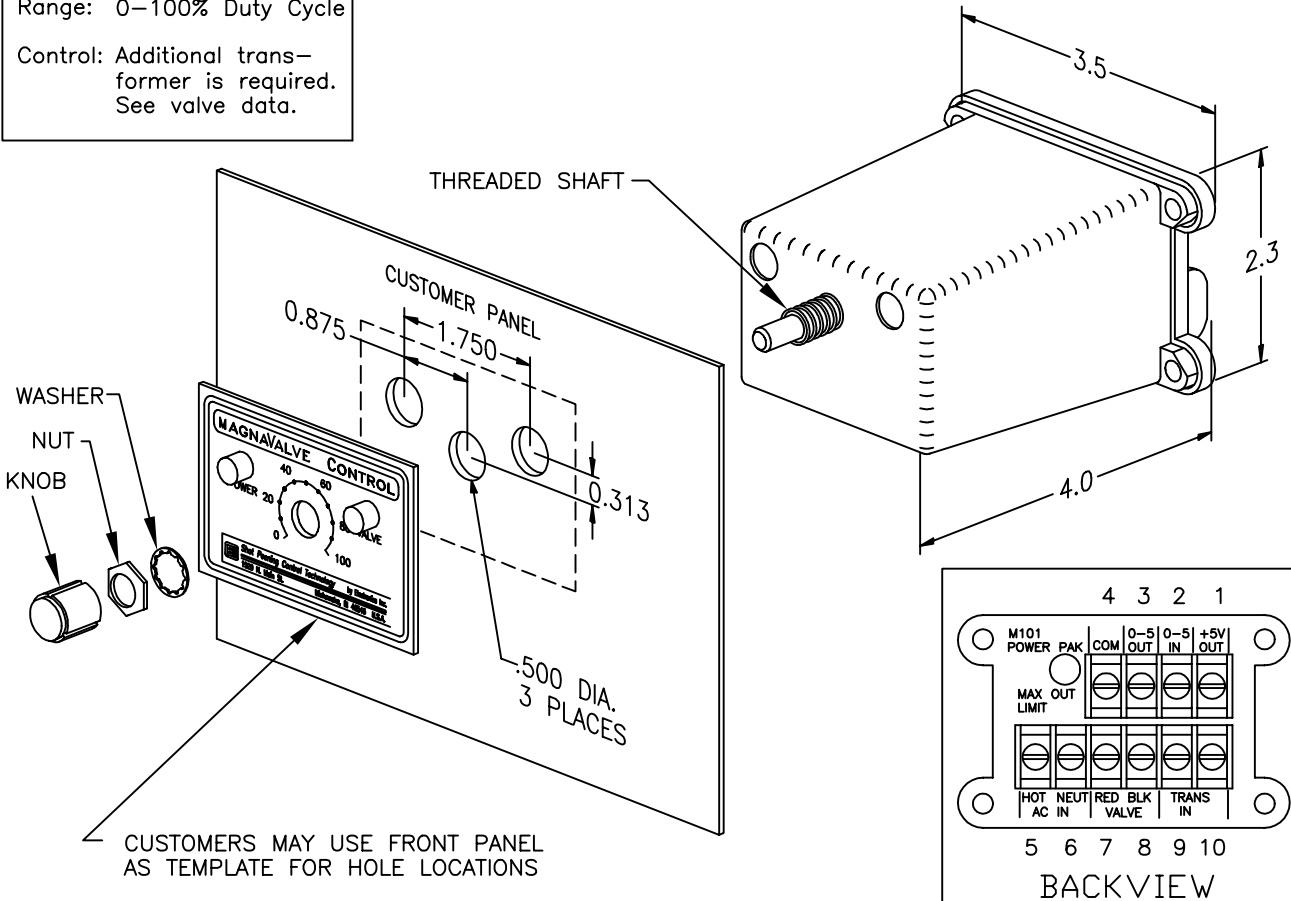
EB04675D 5/13/92

ELECTRONICS INCORPORATED

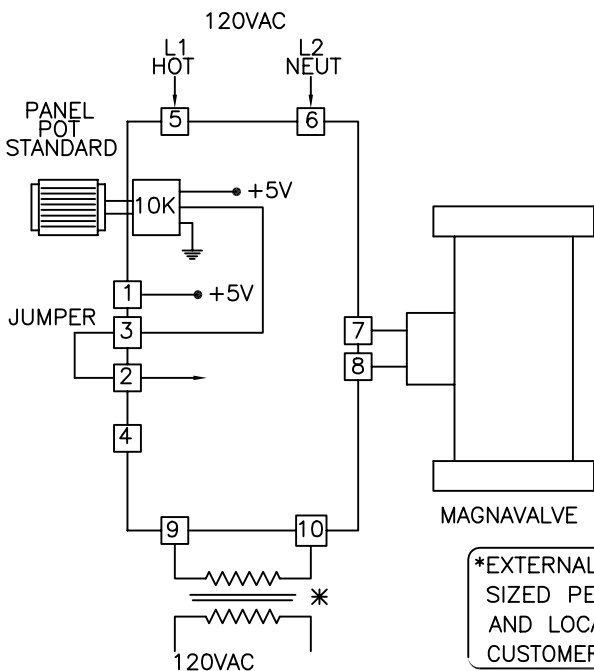
SHOT PEENING TECHNOLOGY

SPECIFICATIONS

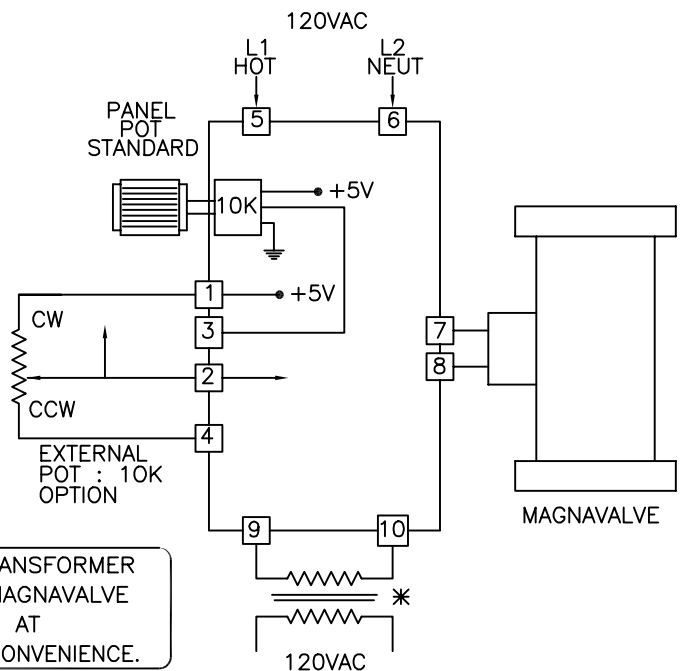
Power: 120vac 50/60hz
 Output: PWM
 Range: 0-100% Duty Cycle
 Control: Additional trans-
 former is required.
 See valve data.



STANDARD WIRING DIAGRAM WITH INTERNAL POTENTIOMETER



WIRING DIAGRAM WITH OPTIONAL EXTERNAL POTENTIOMETER FURNISHED BY CUSTOMER



*EXTERNAL TRANSFORMER SIZED PER MAGNAVALVE AND LOCATED AT CUSTOMERS CONVENIENCE.

EB04675D 5/13/92